

SEAL SIZE - 1 1/4

TYPE - ZN DOUBLE

BILL OF MATERIAL

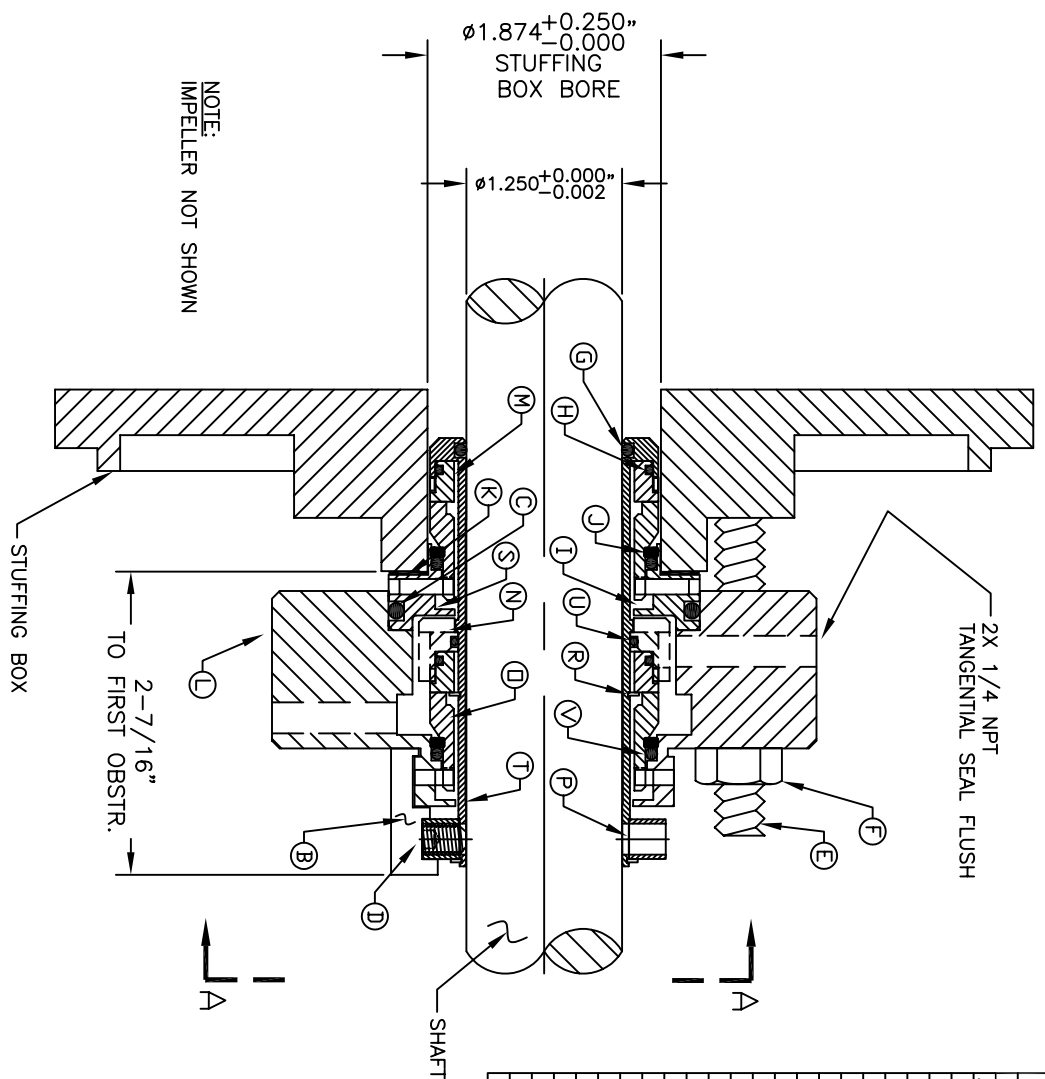
NO	QTY	DESCRIPTION	LENGTH	MATERIAL	DRAWING #	SHEET #
ASSY	1	ZND CARTRIDGE SEAL ASSY	--	--	ZND1250R1	1
A	4	DOWEL PIN 1/8 X 1/2	1/2	302SS	--	1
B	4	ZN DBL CLIP	--	ALUM.	W301CLP	1
C	4	INNER GLAND O-RING	--	VITON	-228	1
D	4	SETSCREW 1/4-28 UNF	1/2	316 S.S.	--	1
E	4	STUD 3/8-16 UNC	3"	316 S.S.	--	1
F	4	HEX NUT 3/8-16 UNC	--	316 S.S.	--	1
G	1	SHAFT O-RING	--	VITON	-124	1
H	2	ROTARY MOUNT O-RING	--	VITON	-030	1
I	2	WAVE SPRING	--	17-7 PH	WS1250ZND	1
J	2	STATIONARY O-RING RETAINER	--	316SS	ZND1250RNG	1
K	1	1-7/8X2-1/2 GLAND GASKET	--	TEFLON	GTZN1250GLD	1
L	1	ZN DBL R1 GLAND	--	316L	ZND1250GR1	3
M	2	ROTARY INSERT	--	SIC	ZND1250AR4	6
N	1	ROTARY COLLAR	--	316L	ZND1250A1R4	4
O	2	STATIONARY	--	SIC	ZND1250BR2	5
P	1	SET SCREW COLLAR	--	316L	ZND1250C	10
R	2	RETAINING RING	--	302SS	RR1250ZND	1
S	1	INNER GLAND	--	316L	ZND1250G2	8
T	1	SEAL SLEEVE	--	316L	ZND1250S	9
U	1	ROTARY COLLAR O-RING	--	VITON	-028	1
V	1	STATIONARY O-RING	--	VITON	-130	1
W	1	CABLE TIE	14"	NYLON	4" 50 lb.	1

SEAL SIZE - 1 1/4 TYPE - ZN DOUBLE

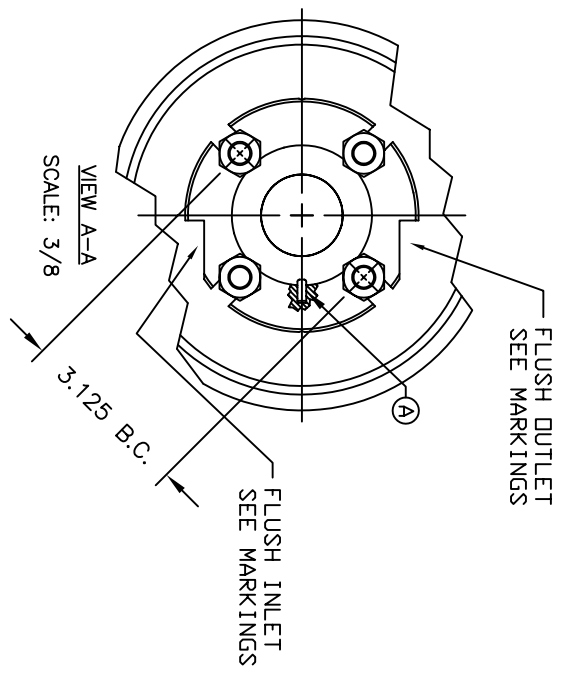
BILL OF MATERIAL

NO	QTY	DESCRIPTION	LENGTH	MATERIAL	DRAWING #	SHEET #
1	1	ZND CARTRIDGE SEAL ASSY	---	---	ZND1250R1	1
A	4	DOWEL PIN 1/8 X 1/2	1/2	302SS	---	1
B	4	ZN DBL CLIP	---	ALUM.	W301CLP	1
C	4	INNER GLAND O-RING	---	VITON	-228	1
D	4	SETSCREW 1/4-28 UNF	1/2	316 S.S.	---	1
E	4	STUD 3/8-16 UNC	3"	316 S.S.	---	1
F	4	HEX NUT 3/8-16 UNC	---	316 S.S.	---	1
G	1	SHAFT O-RING	---	VITON	-124	1
H	2	ROTARY MOUNT O-RING	---	VITON	-030	1
I	2	WAVE SPRING	17-7	PH	WS1250ZND	1
J	2	STATIONARY O-RING RETAINER	---	316SS	ZND1250RNG	1
K	1	1-7/8X2-1/2 GLAND GASKET	---	TEFLON	GTZN1250GID	1
L	1	ZN DBL R1 GLAND	---	316L	ZND1250GR1	3
M	2	ROTARY INSERT	---	SIC	ZND1250AR4	6
N	1	ROTARY COLLAR	---	316L	ZND1250A1R4	4
O	2	STATIONARY	---	SIC	ZND1250BR2	5
P	1	SET SCREW COLLAR	---	316L	ZND1250C	10
R	2	RETAINING RING	---	302SS	RR1250ZND	1
S	1	INNER GLAND	---	316L	ZND1250G2	8
T	1	SEAL SLEEVE	---	316L	ZND1250S	9
U	1	ROTARY COLLAR O-RING	---	VITON	-028	1
V	1	STATIONARY O-RING	---	VITON	-130	1
W	1	CABLE TIE	14"	NYLON	4" 50 lb.	1

SEAL KIT CONSISTS OF: B, C, D, G, H, I, J, K, M, N, O, R, T, U, V
 REPAIR KIT CONSISTS OF: B, C, D, G, H, I, J, K, M, D, U, V



NOTES:
 THIS IS PROPERTY OF ZMT, INC.
 USE OR MAKING COPIES OF THIS
 DRAWING WITHOUT WRITTEN
 AUTHORIZATION IS IS PROHIBITED.



STUD/BOLT SIZE	3/8	1/2
MIN. BOLT CIRCLE	3	3-1/8

TITLE: CARTRIDGE TANDEM/DOUBLE SEAL ASSEMBLY

DATE: 2/10/04

FLUSH

DRAWN BY: RE

DWG #: ZND1250R1

SHEET #: 1 OF 10

APPROVED: RE

Date: 2/15/04

REV

DESCRIPTION

BY

DATE

SEAL SIZE - 1 3/8

TYPE - ZN DOUBLE

BILL OF MATERIAL

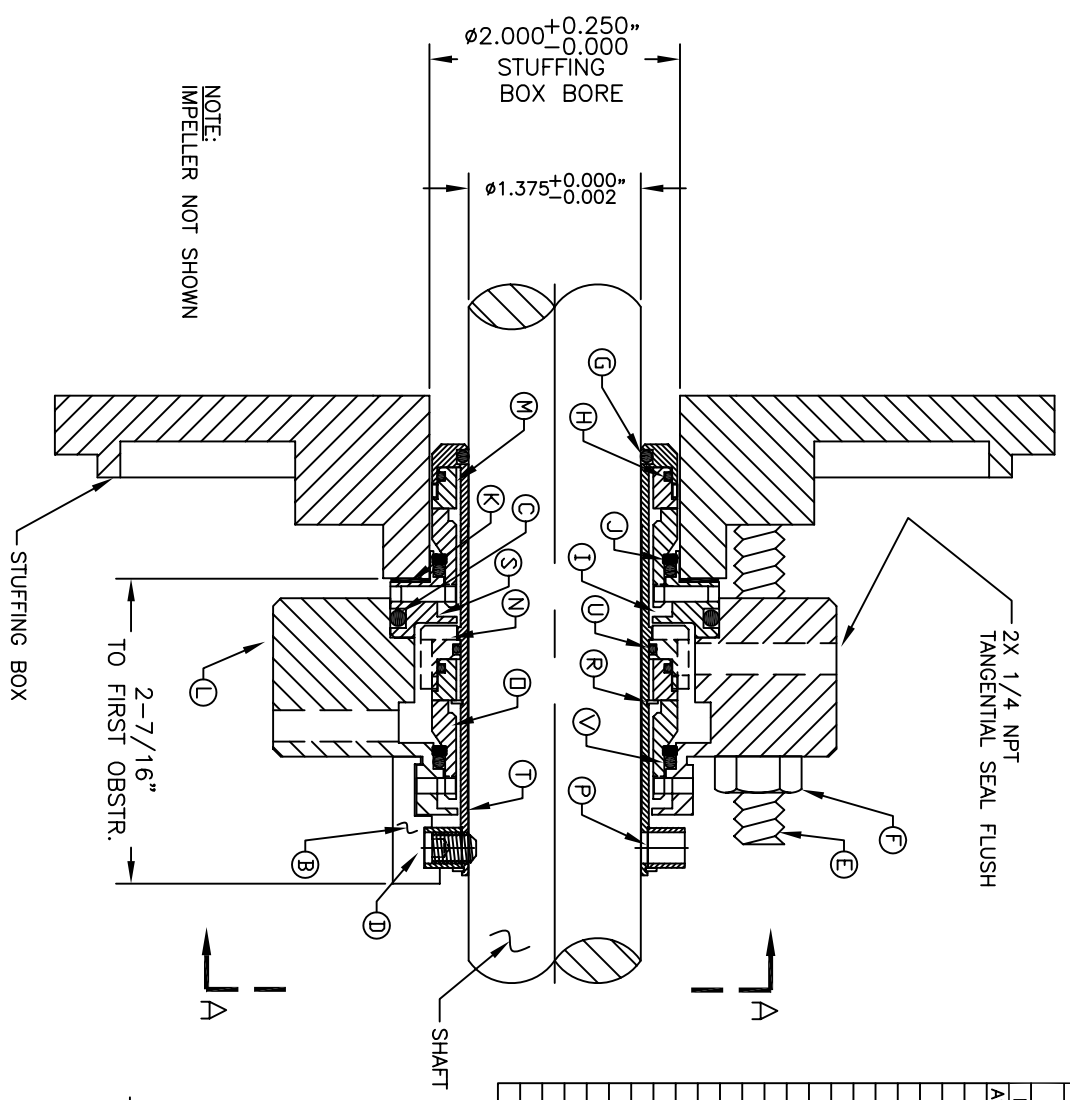
NO	QTY	DESCRIPTION	LENGTH	MATERIAL	DRAWING #	SHEET #
ASSY	1	ZND CARTRIDGE SEAL ASSY	--	--	ZND1375R1	1
A	4	DOWEL PIN 1/8 X 1/2	1/2	302SS	--	1
B	4	ZN DBL CLIP	--	ALUM.	W301CLP	1
C	4	INNER GLAND O-RING	--	VITON	-229	1
D	4	SETSCREW 1/4-28 UNF	1/2	316 S.S.	--	1
E	4	STUD 3/8-16 UNC	3"	316 S.S.	--	1
F	4	HEX NUT 3/8-16 UNC	--	316 S.S.	--	1
G	1	SHAFT O-RING	--	VITON	-126	1
H	2	ROTARY MOUNT O-RING	--	VITON	-032	1
I	2	WAVE SPRING	--	17-7 PH	WS1375ZND	1
J	2	STATIONARY O-RING RETAINER	--	316SS	ZND1375RNG	1
K	1	2X2-5/8 GLAND GASKET	--	TEFLON	GTZN1375GLD	1
L	1	ZN DBL R1 GLAND	--	316L	ZND1375GR1	3
M	2	ROTARY INSERT	--	SIC	ZND1375AR4	6
N	1	ROTARY COLLAR	--	316L	ZND1375A1R4	4
O	2	STATIONARY	--	SIC	ZND1375BR2	5
P	1	SET SCREW COLLAR	--	316L	ZND1375C	10
R	2	RETAINING RING	--	302SS	RR1375ZND	1
S	1	INNER GLAND	--	316L	ZND1250G2	8
T	1	SEAL SLEEVE	--	316L	ZND1375S	9
U	1	ROTARY COLLAR O-RING	--	VITON	-030	1
V	1	STATIONARY O-RING	--	VITON	-132	1
W	1	CABLE TIE	14"	NYLON	4" 50 lb.	1

SEAL SIZE - 1 3/8 TYPE - ZN DOUBLE

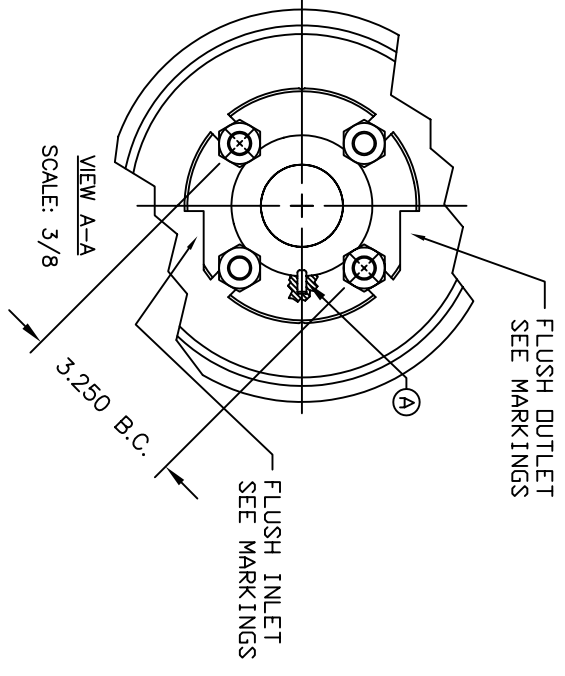
BILL OF MATERIAL

NO.	QTY	DESCRIPTION	LENGTH	MATERIAL	DRAWING #	SHEET #
1	1	ZND CARTRIDGE SEAL ASSY	--	--	ZND1375R1	1
A	4	DOWEL PIN 1/8 X 1/2	1/2	302SS	--	1
B	4	ZN DBL CLIP	--	ALUM.	W301CLP	1
C	4	INNER GLAND O-RING	--	VITON	--229	1
D	4	SETScrew 1/4-28 UNF	1/2	316 S.S.	--	1
E	4	STUD 3/8-16 UNC	3"	316 S.S.	--	1
F	4	HEX NUT 3/8-16 UNC	--	316 S.S.	--	1
G	1	SHAFT O-RING	--	VITON	-126	1
H	2	ROtARY MOUNT O-RING	--	VITON	-032	1
I	2	WAVE SPRING	--	17-7 PH	WS1375ZND	1
J	2	StATIONARY O-RING RETAINER	--	316SS	ZND1375RNG	1
K	1	2X2-5/8 GLAND GASKET	--	TEFLON	G7N1375GLD	1
L	1	ZN DBL R1 GLAND	--	316L	ZND1375GR1	3
M	2	ROtARY INSERT	--	SIC	ZND1375AR4	6
N	1	ROtARY COLLAR	--	316L	ZND1375AIR4	4
O	2	StATIONARY	--	SIC	ZND1375BR2	5
P	1	SET SCREW COLLAR	--	316L	ZND1375C	10
R	2	RETAINING RING	--	302SS	RR1375ZND	1
S	1	INNER GLAND	--	316L	ZND1250G2	8
T	1	SEAL SLEEVE	--	316L	ZND1375S	9
U	1	ROtARY COLLAR O-RING	--	VITON	-030	1
V	1	StATIONARY O-RING	--	VITON	-132	1
W	1	CABLE TIE	14"	NYLON	4" 50 lb.	1

SEAL KIT CONSISTS OF: B, C, D, G, H, I, J, K, M, N, O, R, T, U, V
 REPAIR KIT CONSISTS OF: B, C, D, G, H, I, J, K, M, O, U, V



NOTES:
 THIS IS PROPERTY OF ZMT, INC.
 USE OR MAKING COPIES OF THIS
 DRAWING WITHOUT WRITTEN
 AUTHORIZATION IS IS PROHIBITED.



STUD/BOLT SIZE	3/8	1/2
MIN. BOLT CIRCLE	3-1/8	3-1/4

DATE: 3/24/04	GLAND STYLE: FLUSH	DRAWN BY: RE	DWG #: ZND1375R1	SHEET #: 1 OF 10	APPROVED: RE	Date: 3/29/04
TITLE: CARTRIDGE TANDEM/DOUBLE SEAL ASSEMBLY			REV: -	REV: -		

REV	DESCRIPTION	BY	DATE

SEAL SIZE - 1 5/8

TYPE - ZN DOUBLE

BILL OF MATERIAL

NO	QTY	DESCRIPTION	LENGTH	MATERIAL	DRAWING #	SHEET #
ASSY	1	ZND CARTRIDGE SEAL ASSY	--	--	ZND1625R1	1
A	4	DOWEL PIN 1/8 X 1/2	1/2	302SS	--	1
B	4	ZN DBL CLIP	--	ALUM.	W301CLP	1
C	4	INNER GLAND O-RING	--	VITON	-232	1
D	4	SETSCREW 1/4-28 UNF	1/2	316 S.S.	--	1
E	4	STUD 1/2-13 UNC	3"	316 S.S.	--	1
F	4	HEX NUT 1/2-13 UNC	--	316 S.S.	--	1
G	1	SLEEVE O-RING	--	VITON	-130	1
H	2	ROTARY O-RING	--	VITON	-034	1
I	2	WAVE SPRING	--	17-7 PH	WS1625ZND	1
J	2	STATIONARY O-RING	--	VITON	-134	1
K	1	2-1/4X2-7/8 GLAND GASKET	--	TEFLON	GTZN1625GLD	1
L	1	ZN DBL R1 GLAND	--	316L	ZND1625GR1	3
M	2	ROTARY INSERT	--	SIC	ZND1625AR4	6
N	1	ROTARY COLLAR	--	316L	ZND1625A1R4	4
O	2	STATIONARY	--	SIC	ZND1625BR2	5
P	1	SET SCREW COLLAR	--	316L	ZND1625C	10
R	2	RETAINING RING	--	302SS	ZND1625-039915-1	1
S	1	INNER GLAND	--	316L	ZND1625G2	8
T	1	SEAL SLEEVE	--	316L	ZND1625S	9
U	1	ROTARY COLLAR O-RING	--	VITON	-031	1
V	1	CABLE TIE	14"	NYLON	4" 50 lb.	1
W	2	STATIONARY BACK-UP RING	--	316SS	ZND1625RNG	1

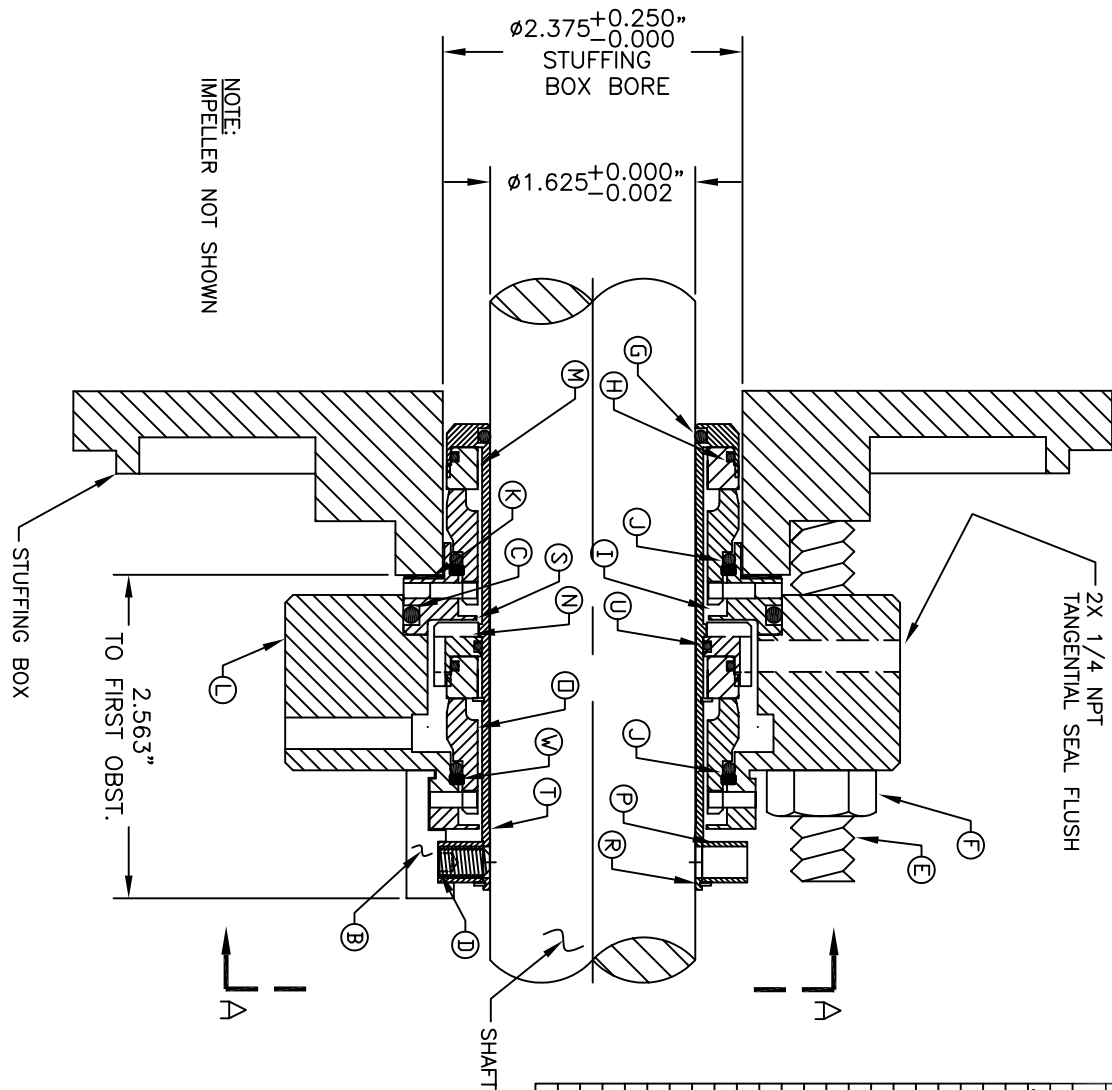
SEAL SIZE - 1 5/8

TYPE - ZN DOUBLE

BILL OF MATERIAL

NO	QTY	DESCRIPTION	LENGTH	MATERIAL	DRAWING #	SHEET #
ASSY	1	ZND CARTRIDGE SEAL ASSY	---	---	ZND1625R1	1
A	4	DOWEL PIN 1/8 X 1/2	1/2	302SS	---	1
B	4	ZN DBL CLIP	---	ALUM.	W301CLP	1
C	4	INNER GLAND O-RING	---	VITON	-232	1
D	4	SETSCREW 1/4-28 UNF	1/2	316 S.S.	---	1
E	4	STUD 1/2-13 UNC	3"	316 S.S.	---	1
F	4	HEX NUT 1/2-13 UNC	---	316 S.S.	---	1
G	4	SLEEVE O-RING	---	VITON	-130	1
H	2	ROTARY O-RING	---	VITON	-034	1
I	2	WAVE SPRING	---	17-7 PH	WS1625ZND	1
J	2	STATIONARY O-RING	---	VITON	-134	1
K	1	2-1/4X2-7/8 GLAND GASKET	---	TEFLON	G1ZNI625GLD	1
L	1	ZN DBL R1 GLAND	---	316L	ZND1625GR1	3
M	2	ROTARY INSERT	---	SIC	ZND1625AR4	6
N	1	ROTARY COLLAR	---	316L	ZND1625A1R4	4
O	2	STATIONARY	---	SIC	ZND1625BR2	5
P	1	SET SCREW COLLAR	---	302SS	ZND1625C	10
R	2	RETAINING RING	---	316L	ZND1625G2	8
S	1	INNER GLAND	---	316L	ZND1625S	9
T	1	SEAL SLEEVE	---	VITON	-031	1
U	1	ROTARY COLLAR O-RING	---	NYLON	4" 50 lb.	1
V	1	CABLE TIE	14"	NYLON	---	1
W	2	STATIONARY BACK-UP RING	---	316SS	ZND1625SRNG	1

SEAL KIT CONSISTS OF: B, C, D, G, H, I, J, K, M, N, D, R, U, V, W
 REPAIR KIT CONSISTS OF: B, C, D, G, H, I, J, K, M, D, R, U, V, W



NOTE:
IMPELLER NOT SHOWN

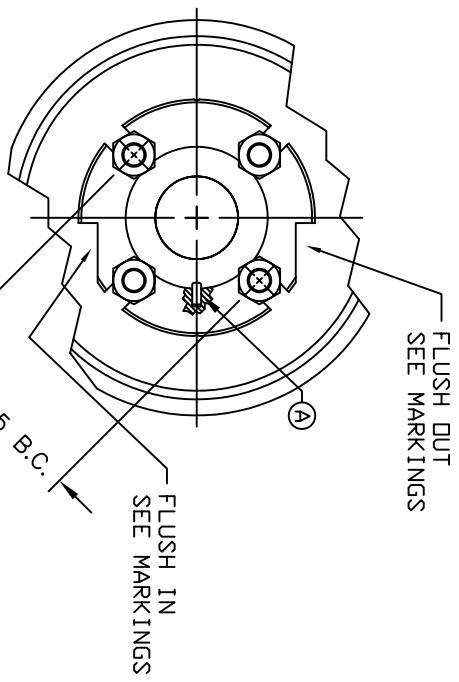


ZM TECHNOLOGIES
 2230 STEWART ST. UNIT #6
 STOCKTON CA. 95205
 PHONE (209) 547-1965
 FAX (209) 464-8140

TITLE: CARTRIDGE SEAL ASSEMBLY
 ZN DBL 1-5/8

DATE:	MATERIAL:	DRAWN BY:	DWG #:	REV
1/5/04	---	RE	ZND1625R1	1
SHEET #:	APPROVED:	Date:		
1 OF 10	RE	2/25/04		

NOTES:
 UNLESS OTHERWISE SPECIFIED
 .XXX ±.005, .XXXX ±.0005
 ANGLES ±1°
 FINISH \sqrt{R}
 BREAK ALL CORNERS .010
 FACES CONCENTRIC & PARALLEL ±.002



STUD/BOLT SIZE	3/8	1/2
MIN. BOLT CIRCLE	3-1/2	3-5/8

REV	DESCRIPTION	BY	DATE

SEAL SIZE - 1 3/4

TYPE - ZND DOUBLE

BILL OF MATERIAL

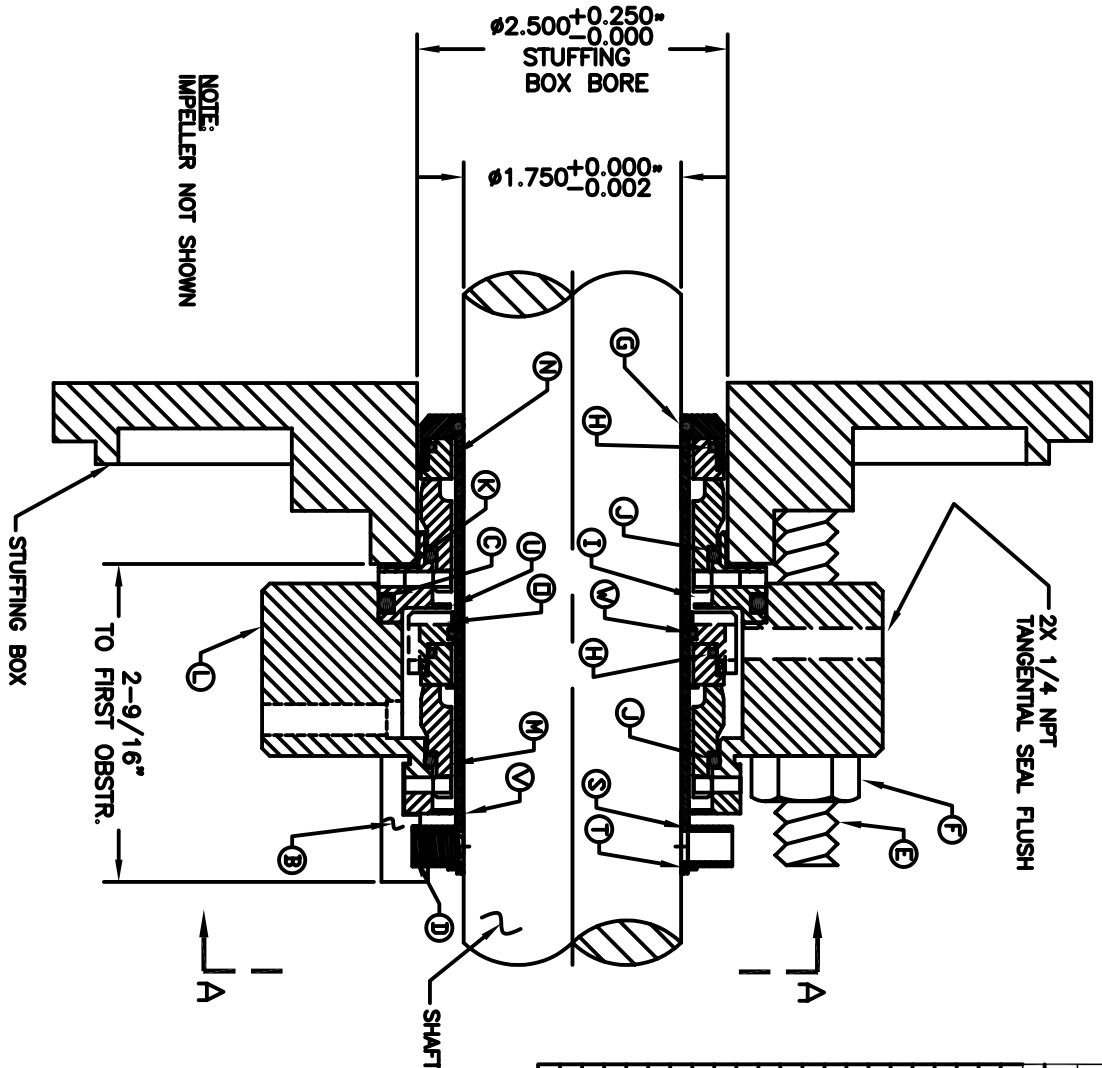
NO	QTY	DESCRIPTION	LENGTH	MATERIAL	DRAWING #	SHEET #
ASSY	1	ZND CARTRIDGE SEAL ASSY	---	---	ZND1750R1	1
A	4	DOWEL PIN 1/8 X 1/2	1/2	302SS	---	1
B	4	ZN DBL CLIP	---	ALUM.	W301CLP	1
C	4	INNER GLAND O-RING	---	VITON	-225	1
D	4	SETSCREW 1/4-28 UNF	1/2	316 S.S.	---	1
E	4	STUD 1/2-13 UNC	3"	316 S.S.	---	1
F	4	HEX NUT 1/2-13 UNC	---	316 S.S.	---	1
G	1	SHAFT O-RING	---	VITON	-132	1
H	2	ROTARY MOUNT O-RING	---	VITON	-034	1
I	2	WAVE SPRING	---	17-7 PH	WS1750ZND	1
J	2	STATIONARY O-RING	---	VITON	-139	1
K	1	2-3/8/X3 GLAND GASKET	---	TEFLON	GTZN1750GLD	1
L	1	ZN DBL R1 GLAND	---	316L	ZND1750GR1	3
M	2	STATIONARY	---	316L	ZND1750BR2	5
N	2	ROTARY INSERT	---	SIC	ZND1750AR4	6
O	1	ROTARY COLLAR	---	316L	ZND1750A1R4	4
S	1	SET SCREW COLLAR	---	316L	ZND1750C	11
T	2	RETAINING RING	---	302SS	RR1750ZND	1
U	1	INNER GLAND	---	316L	ZND1750G2	9
V	1	SEAL SLEEVE	---	316L	ZND1750S	10
W	1	ROTARY COLLAR O-RING	---	VITON	-032	1
X	1	CABLE TIE	14"	NYLON	4" 50 lb.	1

SEAL SIZE - 1 3/4 TYPE - ZND DOUBLE

BILL OF MATERIAL

NO	QTY	DESCRIPTION	LENGTH	MATERIAL	DRAWING #	SHEET #
ASSTY	1	ZND CARTRIDGE SEAL ASSY	---	---	ZND1750R1	1
A	4	DOWEL PIN 1/8 X 1/2	1/2	302SS	---	1
B	4	ZN DBL CLIP	---	ALUM.	W301CLP	1
C	4	INNER GLAND O-RING	---	VTN	-225	1
D	4	SETSOREW 1/4-28 UNF	1/2	316 S.S.	---	1
E	4	STUD 1/2-13 UNC	5"	316 S.S.	---	1
F	4	HEX NUT 1/2-13 UNC	---	316 S.S.	---	1
G	1	SHAFT O-RING	---	VTN	-132	1
H	2	ROTARY MOUNT O-RING	---	VTN	-034	1
I	2	WAVE SPRING	---	17-7 PH	WS1750ZND	1
J	2	STATIONARY O-RING	---	VTN	-139	1
K	1	2-5/8/X3 GLAND GASKET	---	TEFLON	GZND1750GJD	1
L	1	ZN DBL R1 GLAND	---	316L	ZND1750GR1	3
M	2	STATIONARY	---	316L	ZND1750BR2	5
N	2	ROTARY INSERT	---	SIC	ZND1750AR4	6
O	1	ROTARY COLLAR	---	316L	ZND1750A1R4	4
S	1	SET SCREW COLLAR	---	316L	ZND1750C	1
T	2	RETAINING RING	---	302SS	RR1750ZND	1
U	1	INNER GLAND	---	316L	ZND1750G2	9
V	1	SEAL SLEEVE	---	316L	ZND1750S	10
W	1	ROTARY COLLAR O-RING	---	VTN	-032	1
X	1	CABLE TIE	14"	NYLON	4" 50 lb.	1

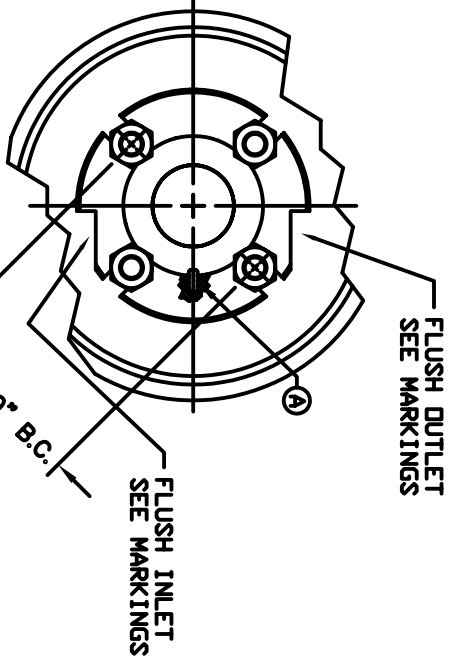
SEAL KIT CONSISTS OF: B, C, D, G, H, I, J, K, M, N, O, P, R, T, V, V, X, Y
 REPAIR KIT CONSISTS OF: B, C, D, G, H, I, J, K, N, P, R, V, X, Y



ZM TECHNOLOGIES
 2250 STEWART ST. UNIT #6
 STOCKTON CA. 95205
 PHONE (209) 547-1965
 FAX (209) 464-8140

DATE: 2/1/04	GLAND STYLE: FLUSH	DRAWN BY: RE	DWG #: ZND1750R1	SHEET #: 1 OF 11
TITLE: CARTRIDGE TANDEM/DOUBLE SEAL ASSEMBLY				REV

NOTES:
 THIS IS PROPERTY OF ZMT, INC.
 USE OR MAKING COPIES OF THIS
 DRAWING WITHOUT WRITTEN
 AUTHORIZATION IS PROHIBITED.



STUD/BOLT SIZE	3/8	1/2
MIN. BOLT CIRCLE	3-5/8	3-3/4

REV	DESCRIPTION	BY	DATE
-----	-------------	----	------

SEAL SIZE - 1 7/8

TYPE - ZN DOUBLE

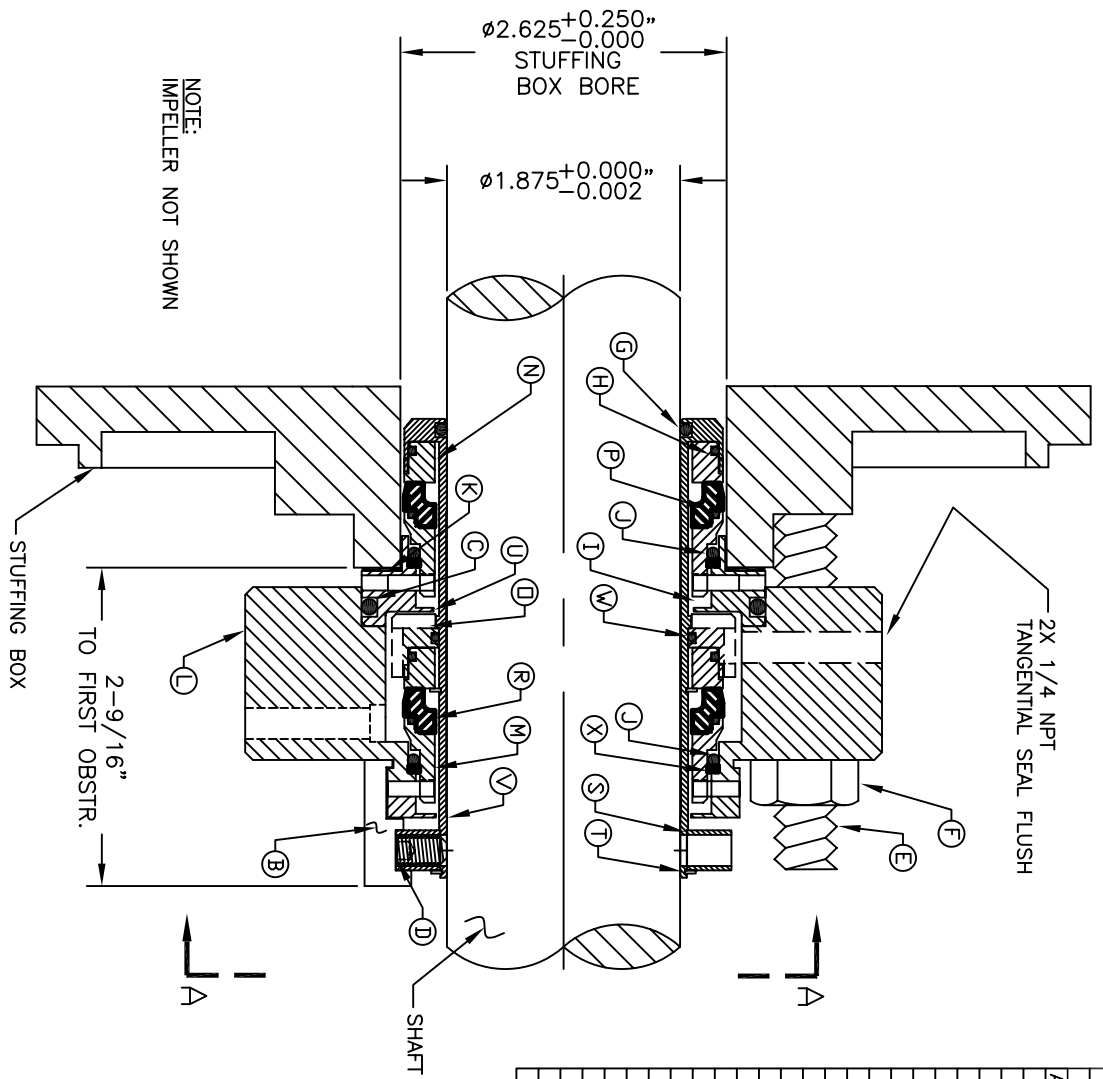
BILL OF MATERIAL

NO	QTY	DESCRIPTION	LENGTH	MATERIAL	DRAWING #	SHEET #
ASSY	1	ZND CARTRIDGE SEAL ASSY	---	---	ZND1875R1	1
A	4	DOWEL PIN 1/8 X 1/2	1/2	302SS	---	1
B	4	ZN DBL CLIP	---	ALUM.	W301CLP	1
C	4	INNER GLAND O-RING	---	VITON	-234	1
D	4	SETSCREW 1/4-28 UNF	1/2	316 S.S.	---	1
E	4	STUD 1/2-13 UNC	3"	316 S.S.	---	1
F	4	HEX NUT 1/2-13 UNC	---	316 S.S.	---	1
G	1	SHAFT O-RING	---	VITON	-134	1
H	2	ROTARY MOUNT O-RING	---	VITON	-037	1
I	2	WAVE SPRING	---	17-7 PH	WS1875ZND	1
J	2	STATIONARY RETAINER O-RING	---	VITON	-141	1
K	1	2-1/2/X3-1/8 GLAND GASKET	---	TEFLON	GTZN1875GLD	1
L	1	ZN DBL R1 GLAND	---	316L	ZND1875GR1	3
M	1	STATIONARY RETAINER	---	316L	ZND1875B1R4	5
N	2	ROTARY INSERT	---	SIC	ZND1875AR4	6
O	1	ROTARY COLLAR	---	316L	ZND1875A1R4	4
P	2	STATIONARY MOUNT O-RING	---	VITON	-037	1
R	2	STATIONARY INSERT	---	SIC	ZND1875BR4	7
S	1	SET SCREW COLLAR	---	316L	ZND1875C	11
T	2	RETAINING RING	---	302SS	RR1875ZND	1
U	1	INNER GLAND	---	316L	ZND1875G2	9
V	1	SEAL SLEEVE	---	316L	ZND1875S	10
W	1	ROTARY COLLAR O-RING	---	VITON	-034	1
X	2	STATIONARY O-RING RETAINER	---	316SS	ZND1875RNG	1
Y	1	CABLE TIE	14"	NYLON	4" 50 lb.	1

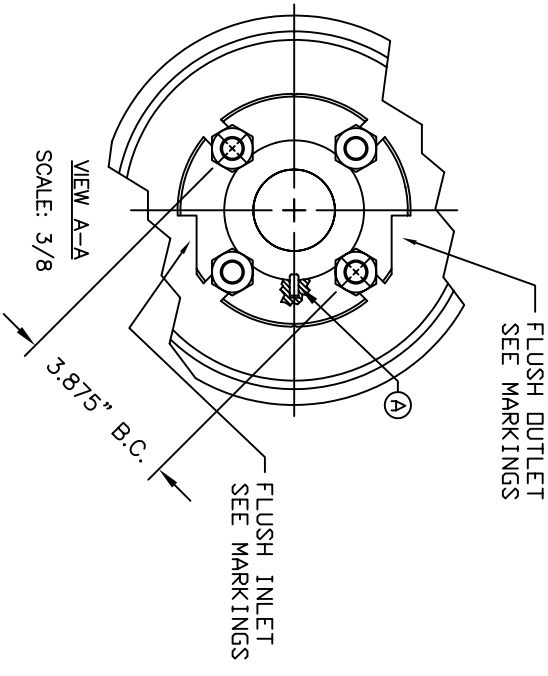
SEAL SIZE - 1 7/8 TYPE - ZN DOUBLE

BILL OF MATERIAL						
NO	QTY	DESCRIPTION	LENGTH	MATERIAL	DRAWING #	SHEET #
ASSY	1	ZND CARTRIDGE SEAL ASSY			ZND1875R1	1
A	4	DOWEL PIN 1/8 X 1/2	1/2	302SS		1
B	4	ZN DBL CLIP		ALUM.	W301CLP	1
C	4	INNER GLAND O-RING		WITON	--234	1
D	4	SETScrew 1/4-28 UNF	1/2	316 S.S.		1
E	4	STUD 1/2-13 UNC	3"	316 S.S.		1
F	4	HEX NUT 1/2-13 UNC		316 S.S.		1
G	1	SHAFT O-RING		WITON	-134	1
H	2	ROtARY MOUNT O-RING		WITON	-037	1
I	2	WAVE SPRING		17-7 PH	W1875ZND	1
J	2	STATIONARY RETAINER O-RING		WITON	-141	1
K	1	2-1/2/X3-1/8 GLAND GASKET		TEFLON	GTZNI875GLD	1
L	1	ZN DBL R1 GLAND		316L	ZND1875GR1	3
M	1	STATIONARY RETAINER		316L	ZND1875BR4	5
N	2	ROtARY INSERT		SIC	ZND1875AR4	6
O	1	ROtARY COLLAR		316L	ZND1875A1R4	4
P	2	STATIONARY MOUNT O-RING		WITON	-037	1
R	2	STATIONARY INSERT		SIC	ZND1875BR4	7
S	1	SET SCREW COLLAR		316L	ZND1875C	11
T	2	RETAINING RING		302SS	RR1875ZND	1
U	1	INNER GLAND		316L	ZND1875G2	9
V	1	SEAL SLEEVE		316L	ZND1875S	10
W	1	ROtARY COLLAR O-RING		WITON	-034	1
X	2	STATIONARY O-RING RETAINER		316SS	ZND1875RNG	1
Y	1	CABLE TIE	14"	NYLON	4" 50 lb.	1

SEAL KIT CONSISTS OF: B, C, D, G, H, I, J, K, M, N, D, P, R, T, V, W, X, Y
 REPAIR KIT CONSISTS OF: B, C, D, G, H, I, J, K, N, P, R, W, X, Y



NOTES:
 THIS IS PROPERTY OF ZMT, INC.
 USE OR MAKING COPIES OF THIS
 DRAWING WITHOUT WRITTEN
 AUTHORIZATION IS IS PROHIBITED.



STUD/BOLT SIZE	3/8	1/2
MIN. BOLT CIRCLE	3-3/4	3-7/8

DATE: 4/20/04	GLAND STYLE: 4/21/04	DRAWN BY: RE	DWG #: ZND1875R1	SHEET #: 1 OF 11	APPROVED: RE	Date: 4/21/04
TITLE: CARTRIDGE TANDEM/DOUBLE SEAL ASSEMBLY				REV: -		

REV	DESCRIPTION	BY	DATE

SEAL SIZE - 2

TYPE - ZN DOUBLE

BILL OF MATERIAL

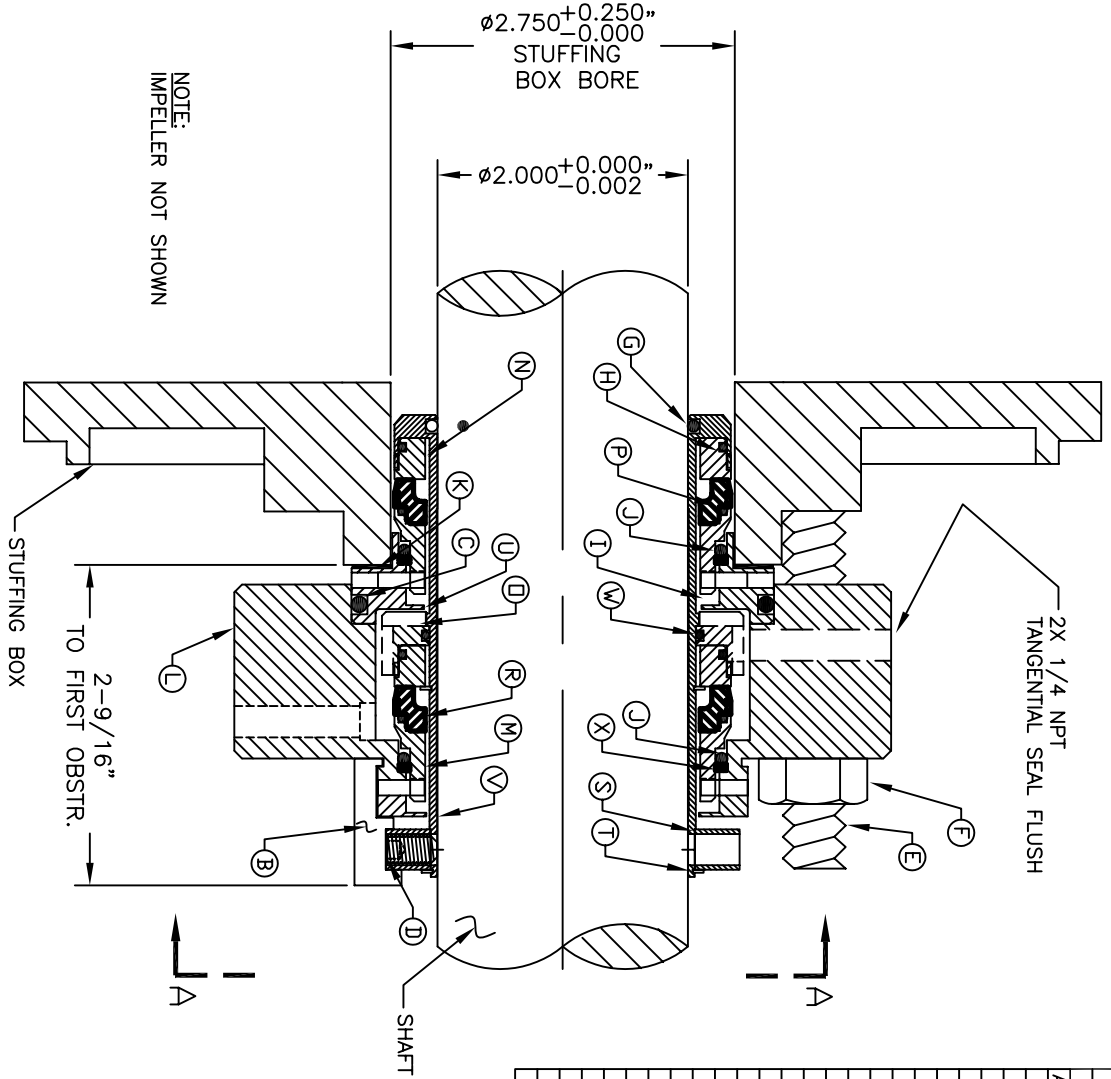
NO	QTY	DESCRIPTION	LENGTH	MATERIAL	DRAWING #	SHEET #
ASSY	1	ZND CARTRIDGE SEAL ASSY	--	--	ZND2000R1	1
A	4	DOWEL PIN 1/8 X 1/2	1/2	302SS	--	1
B	4	ZN DBL CLIP	--	ALUM.	W301CLP	1
C	4	INNER GLAND O-RING	--	VITON	-235	1
D	4	SETSCREW 1/4-28 UNF	1/2	316 S.S.	--	1
E	4	STUD 1/2-13 UNC	3"	316 S.S.	--	1
F	4	HEX NUT 1/2-13 UNC	--	316 S.S.	--	1
G	1	SHAFT O-RING	--	VITON	-136	1
H	2	ROTARY MOUNT O-RING	--	VITON	-039	1
I	2	WAVE SPRING	--	17-7 PH	WS2000ZND	1
J	2	STATIONARY RETAINER O-RING	--	VITON	-143	1
K	1	2-5/8/X3-1/4 GLAND GASKET	--	TEFLON	GTZN2000GLD	1
L	1	ZN DBL R1 GLAND	--	316L	ZND2000GR1	3
M	1	STATIONARY RETAINER	--	316L	ZND2000B1R4	5
N	2	ROTARY INSERT	--	SIC	ZND2000AR4	6
O	1	ROTARY COLLAR	--	316L	ZND2000A1R4	4
P	2	STATIONARY MOUNT O-RING	--	VITON	-039	1
R	2	STATIONARY INSERT	--	SIC	ZND2000BR4	7
S	1	SET SCREW COLLAR	--	316L	ZND2000C	11
T	2	RETAINING RING	--	302SS	RR2000ZND	1
U	1	INNER GLAND	--	316L	ZND2000G2	9
V	1	SEAL SLEEVE	--	316L	ZND2000S	10
W	1	ROTARY COLLAR O-RING	--	VITON	-036	1
X	2	STATIONARY O-RING RETAINER	--	316SS	ZND2000RNG	1
Y	1	CABLE TIE	14"	NYLON	4" 50 lb.	1

SEAL SIZE - 2 TYPE - ZN DOUBLE

BILL OF MATERIAL

NO	QTY	DESCRIPTION	LENGTH	MATERIAL	DRAWING #	SHEET #
1	1	ZND CARTRIDGE SEAL ASSY	---	---	ZND2000R1	1
A	4	DOWEL PIN 1/8 X 1/2	1/2	302SS	---	1
B	4	ZN DBL CLIP	---	ALUM.	W301CLP	1
C	4	INNER GLAND O-RING	---	VITON	-235	1
D	4	SETScrew 1/4-28 UNF	1/2	316 S.S.	---	1
E	4	STUD 1/2-13 UNC	3"	316 S.S.	---	1
F	4	HEX NUT 1/2-13 UNC	---	316 S.S.	---	1
G	1	SHAFT O-RING	---	VITON	-136	1
H	2	ROTAry MOUNT O-RING	---	VITON	-039	1
I	2	WAVE SPRING	---	17-7 PH	WS2000ZND	1
J	2	STATIONARY RETAINER O-RING	---	VITON	-143	1
K	1	2-5/8/X3-1/4 GLAND GASKET	---	TEFLON	GTZN2000GLD	1
L	1	ZN DBL R1 GLAND	---	316L	ZND2000GR1	3
M	1	STATIONARY RETAINER	---	316L	ZND2000B1R4	5
N	2	ROTAry INSERT	---	SIC	ZND2000AR4	6
O	1	ROTAry COLLAR	---	316L	ZND2000A1R4	4
P	2	STATIONARY MOUNT O-RING	---	VITON	-039	1
R	2	STATIONARY INSERT	---	SIC	ZND2000BR4	7
S	1	SET SCREW COLLAR	---	316L	ZND2000OC	11
T	2	RETAINING RING	---	302SS	RR2000ZND	1
U	1	INNER GLAND	---	316L	ZND2000G2	9
V	1	SEAL SLEEVE	---	316L	ZND2000S	10
W	1	ROTAry COLLAR O-RING	---	VITON	-036	1
X	2	STATIONARY O-RING RETAINER	---	316SS	ZND2000RRG	1
Y	1	CABLE TIE	14"	NYLON	4" 50 lb.	1

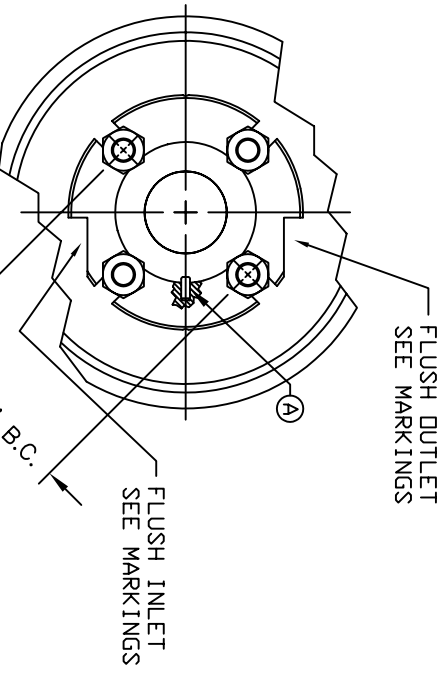
SEAL KIT CONSISTS OF: B, C, D, G, H, I, J, K, M, N, D, P, R, T, V, W, X, Y
 REPAIR KIT CONSISTS OF: B, C, D, G, H, I, J, K, N, P, R, W, X, Y



NOTE:
IMPELLER NOT SHOWN



NOTES:
THIS IS PROPERTY OF ZMT, INC.
USE OR MAKING COPIES OF THIS
DRAWING WITHOUT WRITTEN
AUTHORIZATION IS IS PROHIBITED.



VIEW A-A
SCALE: 3/8

STUD/BOLT SIZE	3/8	1/2
MIN. BOLT CIRCLE	3-7/8	4

DATE: 4/24/04	GLAND STYLE: FLUSH	DRAWN BY: RE	DWG #: ZND2000R1	REV: --	SHEET #: 1 OF 11	APPROVED: RE	Date: 4/27/04
TITLE: CARTRIDGE TANDEM/DOUBLE SEAL ASSEMBLY				TITLE: CARTRIDGE TANDEM/DOUBLE SEAL ASSEMBLY			

REV: --	DESCRIPTION:	BY: --	DATE: --
---------	--------------	--------	----------

SEAL SIZE - 2-1/8

TYPE - ZN DOUBLE

BILL OF MATERIAL

NO	QTY	DESCRIPTION	LENGTH	MATERIAL	DRAWING #	SHEET #
ASSY	1	ZND CARTRIDGE SEAL ASSY	---	---	ZND2000R1	1
A	4	DOWEL PIN 1/8 X 1/2	1/2	302SS	---	1
B	4	ZN DBL CLIP	---	ALUM.	W301CLP	1
C	4	INNER GLAND O-RING	---	VITON	-239	1
D	4	SETSCREW 1/4-28 UNF	1/2	316 S.S.	---	1
E	4	STUD 1/2-13 UNC	3"	316 S.S.	---	1
F	4	HEX NUT 1/2-13 UNC	---	316 S.S.	---	1
G	1	SHAFT O-RING	---	VITON	-144	1
H	2	ROTARY MOUNT O-RING	---	VITON	-042	1
I	2	WAVE SPRING	---	17-7 PH	WS2500ZND	1
J	2	STATIONARY RETAINER O-RING	---	VITON	-150	1
K	1	3-1/8/X3-3/4 GLAND GASKET	---	TEFLON	GTZN2500GLD	1
L	1	ZN DBL R1 GLAND	---	316L	ZND2500GR1	3
M	1	STATIONARY RETAINER	---	316L	ZND2500B1R4	5
N	2	ROTARY INSERT	---	SIC	ZND2500AR4	6
O	1	ROTARY COLLAR	---	316L	ZND2500A1R4	4
P	2	STATIONARY MOUNT O-RING	---	VITON	-042	1
R	2	STATIONARY INSERT	---	SIC	ZND2500BR4	7
S	1	SET SCREW COLLAR	---	316L	ZND2500C	11
T	2	RETAINING RING	---	302SS	RR2500ZND	1
U	1	INNER GLAND	---	316L	ZND2500G2	9
V	1	SEAL SLEEVE	---	316L	ZND2500S	10
W	1	ROTARY COLLAR O-RING	---	VITON	-040	1
X	2	STATIONARY O-RING RETAINER	---	316SS	ZND2500RNG	1
Y	1	CABLE TIE	14"	NYLON	4" 50 lb.	1

SEAL SIZE - 2-1/8

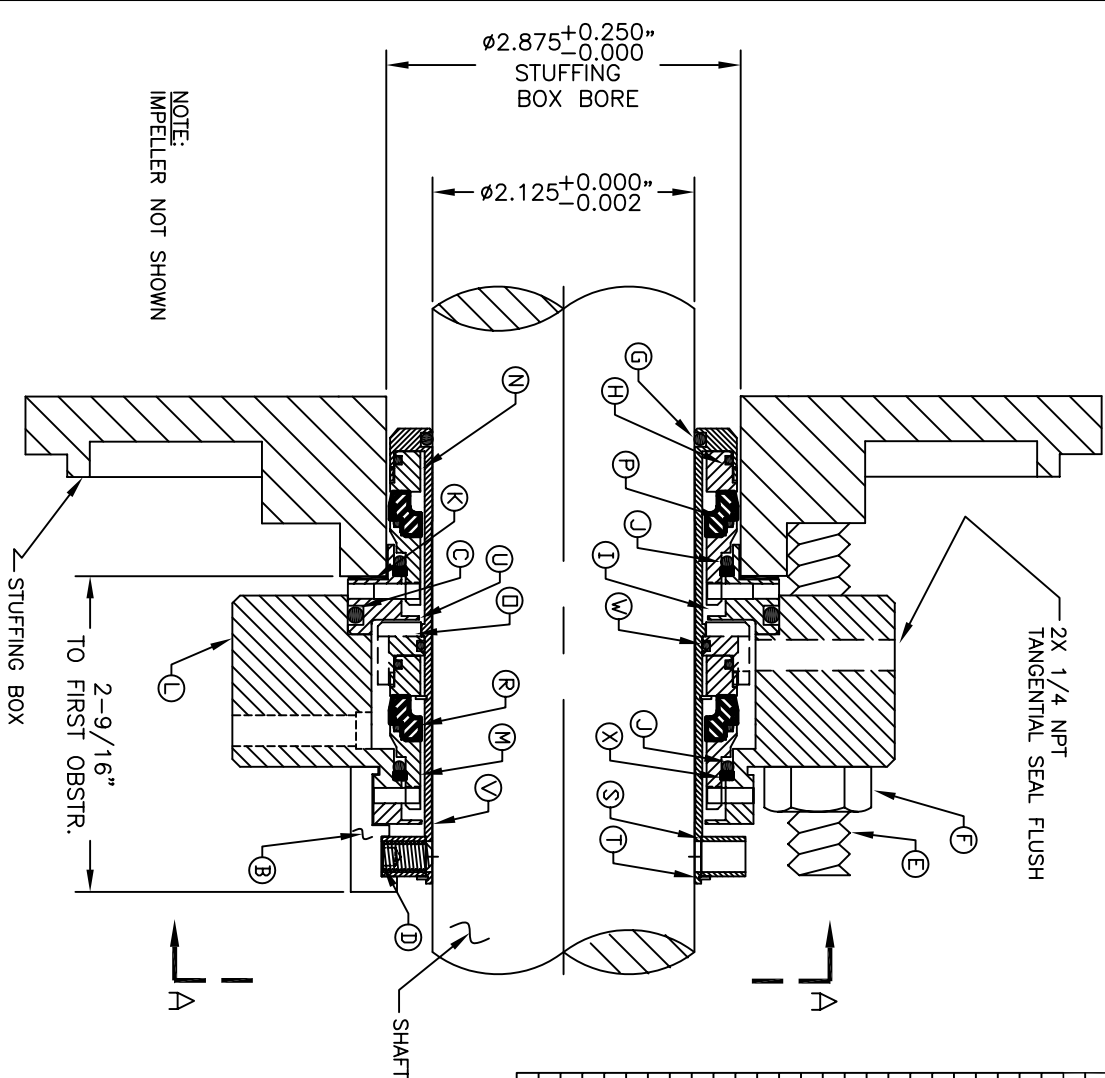
TYPE - ZN DOUBLE

BILL OF MATERIAL

NO	QTY	DESCRIPTION	LENGTH	MATERIAL	DRAWING #	SHEET #
ASST	1	ZND CARTRIDGE SEAL ASSY	---	---	ZND2125R1	1
A	4	DOWEL PIN 1/8 X 1/2	1/2	302SS	---	1
B	4	ZN DBL CLIP	---	ALUM.	W301CLP	1
C	4	INNER GLAND O-RING	---	VTION	-236	1
D	4	SETSCREW 1/4-28 UNF	1/2	316 S.S.	---	1
E	4	STUD 1/2-13 UNC	3"	316 S.S.	---	1
F	4	HEX NUT 1/2-13 UNC	---	316 S.S.	---	1
G	1	SHAFT O-RING	---	VTION	-138	1
H	2	ROTIARY MOUNT O-RING	---	VTION	-041	1
I	2	WAVE SPRING	---	17-7 PH	WS2125ZND	1
J	2	STATIONARY RETAINER O-RING	---	VTION	-145	1
K	1	2-3/4/X3-3/8 GLAND GASKET	---	TEFLON	GTZND125G1D	1
L	1	ZN DBL R1 GLAND	---	316L	ZND2125GR1	3
M	1	STATIONARY RETAINER	---	316L	ZND2125BR4	5
N	2	ROTIARY INSERT	---	SIC	ZND2125AR4	6
O	1	ROTIARY COLLAR	---	316L	ZND2125A1R4	4
P	2	STATIONARY MOUNT O-RING	---	VTION	-041	1
R	2	STATIONARY INSERT	---	SIC	ZND2125BR4	7
S	1	SET SCREW COLLAR	---	316L	ZND2125C	11
T	2	RETAINING RING	---	302SS	RR2125ZND	1
U	1	INNER GLAND	---	316L	ZND2125G2	9
V	1	SEAL SLEEVE	---	316L	ZND2125S	10
W	1	ROTIARY COLLAR O-RING	---	VTION	-038	1
X	2	STATIONARY O-RING RETAINER	---	316SS	ZND2125RNG	1
Y	1	CABLE TIE	14"	NYLON	4" 50 lb.	1

SEAL KIT CONSISTS OF: B, C, D, G, H, I, J, K, M, N, O, P, R, T, V, W, X, Y

REPAIR KIT CONSISTS OF: B, C, D, G, H, I, J, K, N, P, R, W, X, Y



NOTE:
IMPELLER NOT SHOWN

2-9/16"
TO FIRST OBSTR.

STUFFING BOX

SHAFT

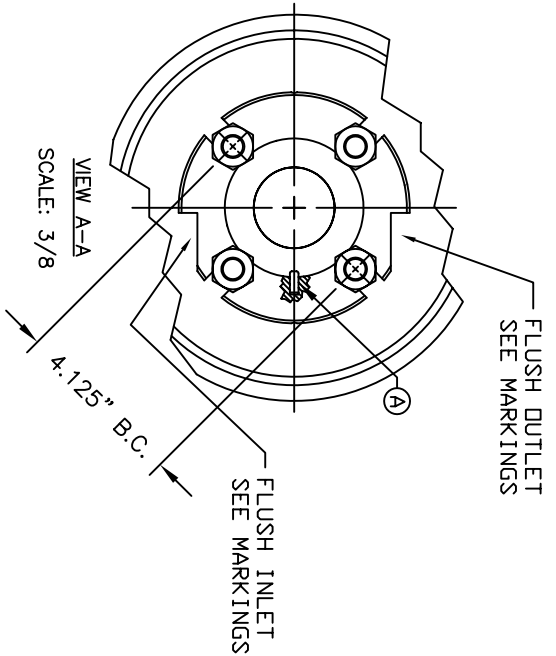


ZM TECHNOLOGIES
2250 STEWART ST. UNIT #6
STOCKTON CA, 95205
PHONE (209) 547-1965
FAX (209) 464-8140

TITLE: CARTRIDGE TANDEM/DOUBLE SEAL ASSEMBLY
ZN DBL 2-1/8"

NOTES:
THIS IS PROPERTY OF ZMT, INC.
USE OR MAKING COPIES OF THIS
DRAWING WITHOUT WRITTEN
AUTHORIZATION IS IS PROHIBITED.

DATE: 4/25/04	GLAND STYLE: FLUSH	DRAWN BY: RE	DWG #: ZND2125R1	SHEET #: 1 OF 11	APPROVED: RE	Date: 4/27/04
REV			REV		REV	



STUD/BOLT SIZE	3/8	1/2
MIN. BOLT CIRCLE	4	4-1/8

REV	DESCRIPTION	BY	DATE

SEAL SIZE - 2-1/2

TYPE - ZND DOUBLE

BILL OF MATERIAL

NO	QTY	DESCRIPTION	LENGTH	MATERIAL	DRAWING #	SHEET #
ASSY	1	ZND CARTRIDGE SEAL ASSY	---	---	ZND2500R1	1
A	4	DOWEL PIN 1/8 X 1/2	1/2	302SS	---	1
B	4	ZN DBL CLIP	---	ALUM.	W301CLP	1
C	4	INNER GLAND O-RING	---	VITON	-239	1
D	4	SETSCREW 1/4-28 UNF	1/2	316 S.S.	---	1
E	4	STUD 1/2-13 UNC	3"	316 S.S.	---	1
F	4	HEX NUT 1/2-13 UNC	---	316 S.S.	---	1
G	1	SHAFT O-RING	---	VITON	-144	1
H	2	ROTARY MOUNT O-RING	---	VITON	-040	1
I	2	WAVE SPRING	---	17-7 PH	WS2500ZND	1
J	2	STATIONARY O-RING	---	VITON	-150	1
K	1	3-1/8/X3-3/4 GLAND GASKET	---	TEFLON	GTZN2500GLD	1
L	1	ZN DBL R1 GLAND	---	316L	ZND2500GR1	3
M	1	STATIONARY	---	316L	ZND2500BR2	5
N	2	ROTARY INSERT	---	SIC	ZND2500AR4	6
O	1	ROTARY COLLAR	---	316L	ZND2500A1R4	4
S	1	SET SCREW COLLAR	---	316L	ZND2500C	11
T	2	RETAINING RING	---	302SS	RR2500ZND	1
U	1	INNER GLAND	---	316L	ZND2500G2	9
V	1	SEAL SLEEVE	---	316L	ZND2500S	10
W	1	ROTARY COLLAR O-RING	---	VITON	-038	1
Y	1	CABLE TIE	14"	NYLON	4" 50 lb.	1

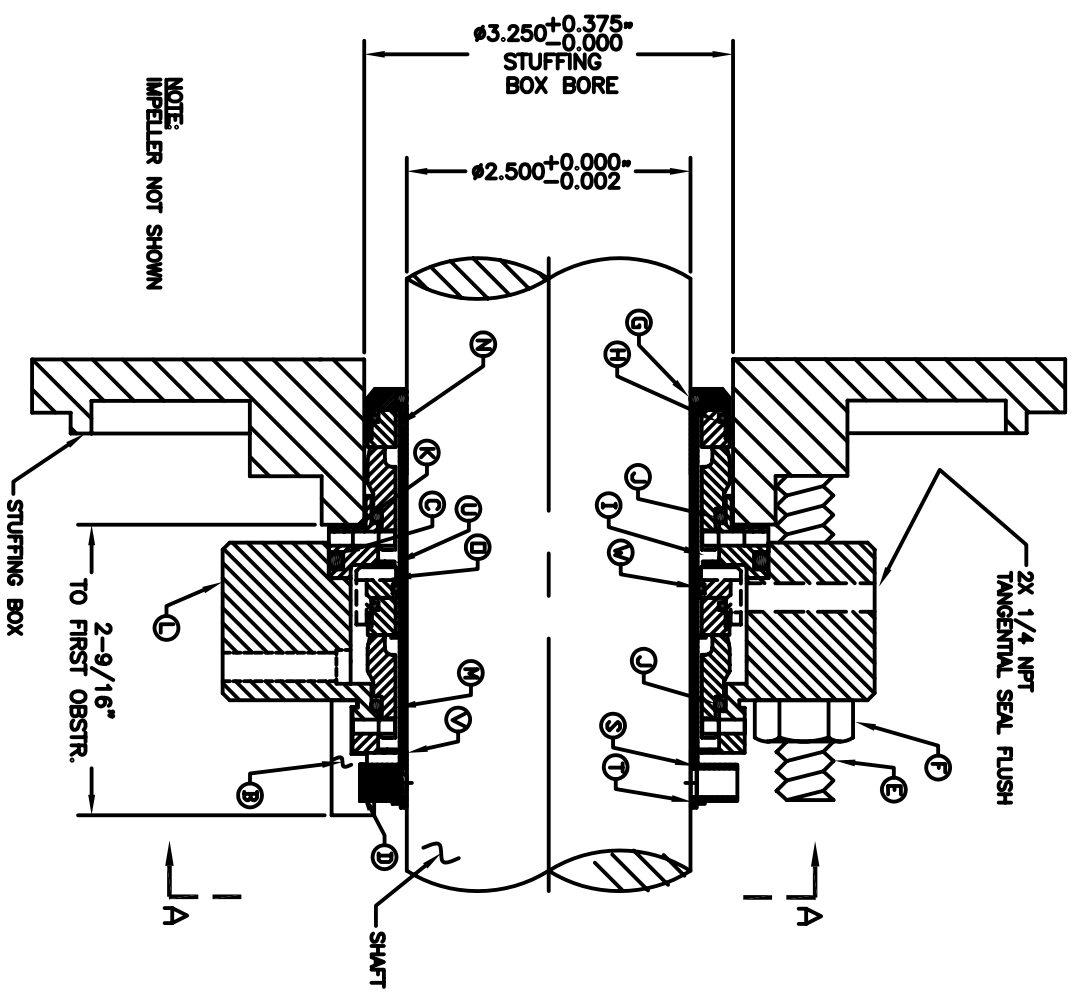
SEAL SIZE - 2-1/2

TYPE - ZND DOUBLE

BILL OF MATERIAL

NO	QTY	DESCRIPTION	LENGTH	MATERIAL	DRAWING #	SHEET #
AS	1	ZND CARTRIDGE SEAL ASSY	---	---	ZND2500R1	1
A	4	DOWEL PIN 1/8 X 1/2	1/2	302SS	---	1
B	4	ZN DBL CLIP	---	ALUM.	W301CLP	1
C	4	INNER GLAND O-RING	---	VTON	-239	1
D	4	SETSREW 1/4-28 UNF	1/2	316 S.S.	---	1
E	4	STUD 1/2-13 UNC	3"	316 S.S.	---	1
F	4	HEX NUT 1/2-13 UNC	---	316 S.S.	---	1
G	1	SHAFT O-RING	---	VTON	-144	1
H	2	ROTARY MOUNT O-RING	---	VTON	-040	1
I	2	WAVE SPRING	---	17-7 PH	WS2500ZND	1
J	2	STATIONARY O-RING	---	VTON	-150	1
K	1	3-1/8/33-3/4 GLAND GASKET	---	TEFLON	GTZND2500GR1	1
L	1	ZN DEL. R1 GLAND	---	316L	ZND2500GR1	3
M	1	STATIONARY	---	316L	ZND2500BR2	5
N	2	ROTARY INSERT	---	SIC	ZND2500AR4	6
O	1	ROTARY COLLAR	---	316L	ZND2500A1R4	4
S	1	SET SCREW COLLAR	---	316L	ZND2500C	11
T	2	RETAINING RING	---	302SS	RP2500ZND	1
U	1	INNER GLAND	---	316L	ZND2500G2	9
V	1	SEAL SLEEVE	---	316L	ZND2500S	10
W	1	ROTARY COLLAR O-RING	---	VTON	-038	1
Y	1	CABLE TIE	14"	NYLON	4" 50 lb.	1

SEAL KIT CONSISTS OF: B, C, D, G, H, I, J, K, M, N, O, P, R, T, V, W, X, Y
 REPAIR KIT CONSISTS OF: B, C, D, G, H, I, J, K, N, P, R, W, X, Y



NOTE:
IMPELLER NOT SHOWN

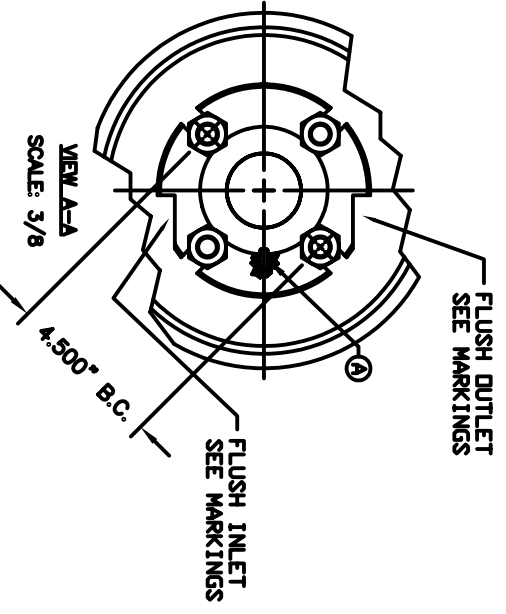


ZM TECHNOLOGIES
 2250 STEWART ST. UNIT #6
 STOCKTON CA, 95205
 PHONE (209) 547-1965
 FAX (209) 464-8140

TITLE: CARTRIDGE TANDEM/DOUBLE SEAL ASSEMBLY
 ZND DBL 2-1/2"

DATE: 4/25/04	DRAWN BY: RE	DWG #: ZND2500R1	SHEET #: 1 OF 11	APPROVED: RE	Date: 10/10/05
FLUSH	RE	ZND2500R1	1 OF 11	RE	10/10/05

NOTES:
THIS IS PROPERTY OF ZMT, INC.
USE OR MAKING COPIES OF THIS
DRAWING WITHOUT WRITTEN
AUTHORIZATION IS PROHIBITED.



STUD/BOLT SIZE	3/8	1/2
MIN. BOLT CIRCLE	4-3/8	4-1/2

REV	DESCRIPTION	BY	DATE
-----	-------------	----	------

SEAL SIZE - 3

TYPE - ZND DOUBLE

BILL OF MATERIAL

NO	QTY	DESCRIPTION	LENGTH	MATERIAL	DRAWING #	SHEET #
ASSY	1	ZND CARTRIDGE SEAL ASSY	---	---	ZND3000R1	1
A	4	DOWEL PIN 1/8 X 1/2	1/2	302SS	---	1
B	4	ZN DBL CLIP	---	ALUM.	W301CLP	1
C	4	INNER GLAND O-RING	---	VITON	-243	1
D	6	SETSCREW 1/4-28 UNF	1/2	316 S.S.	---	1
E	4	STUD 1/2-13 UNC	3"	316 S.S.	---	1
F	4	HEX NUT 1/2-13 UNC	---	316 S.S.	---	1
G	1	SHAFT O-RING	---	VITON	-151	1
H	2	ROTARY MOUNT O-RING	---	VITON	-042	1
I	2	WAVE SPRING	---	17-7 PH	WS3000ZND	1
J	2	STATIONARY O-RING	---	VITON	-156	1
K	1	3-3/4/X4-3/8 GLAND GASKET	---	TEFLON	GTZN3000GLD	1
L	1	ZN DBL R1 GLAND	---	316L	ZND3000GR1	3
M	1	STATIONARY	---	316L	ZND3000BR2	5
N	2	ROTARY INSERT	---	SIC	ZND3000AR4	6
O	1	ROTARY COLLAR	---	316L	ZND3000A1R4	4
S	1	SET SCREW COLLAR	---	316L	ZND3000C	11
T	2	RETAINING RING	---	302SS	RR3000ZND	1
U	1	INNER GLAND	---	316L	ZND3000G2	9
V	1	SEAL SLEEVE	---	316L	ZND3000S	10
W	1	ROTARY COLLAR O-RING	---	VITON	-042	1
Y	1	CABLE TIE	14"	NYLON	4" 50 lb.	1

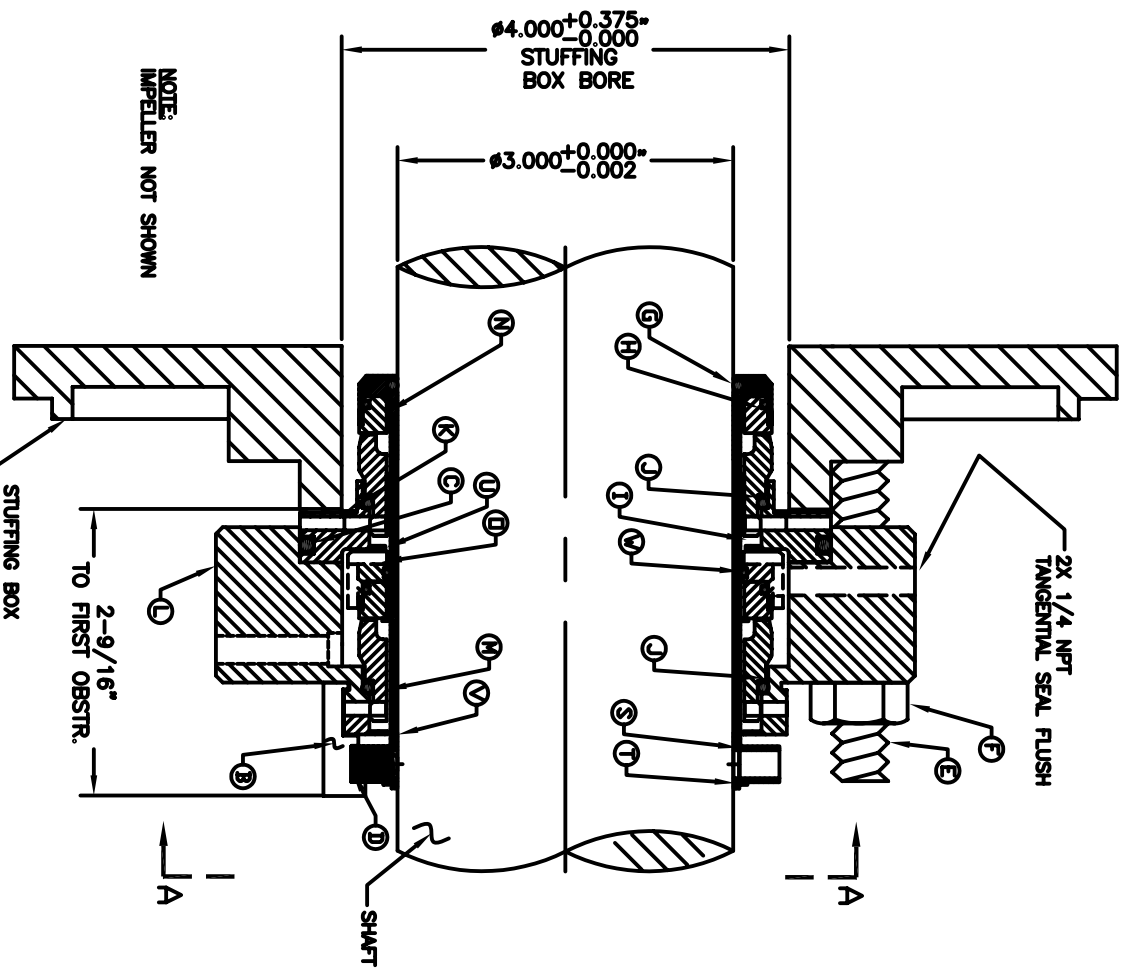
SEAL SIZE - 3

TYPE - ZND DOUBLE

BILL OF MATERIAL

NO	QTY	DESCRIPTION	LENGTH	MATERIAL	DRAWING #	SHEET #
ASSY	1	ZND CARTRIDGE SEAL ASSY	---	---	ZND3000R1	1
A	4	DOWEL PIN 1/8 X 1/2	1/2	302SS	---	1
B	4	ZN DBL CLIP	---	ALUM.	W307CLP	1
C	4	INNER GLAND O-RING	---	VTON	-243	1
D	6	SETScrew 1/4-28 UNF	1/2	316 S.S.	---	1
E	4	STUD 1/2-13 UNC	3"	316 S.S.	---	1
F	4	HEX NUT 1/2-13 UNC	---	316 S.S.	---	1
G	1	SHAFT O-RING	---	VTON	-151	1
H	2	ROtARY MOUNT O-RING	---	VTON	-042	1
I	2	WAVE SPRING	---	17-7 PH	WS3000ZND	1
J	2	STATIONARY O-RING	---	VTON	-156	1
K	1	3-3/4 X 1-3/8 GLAND GASKET	---	TEFLON	GTZNS000GLD	1
L	1	ZN DBL R1 GLAND	---	316L	ZND3000GR1	3
M	1	STATIONARY	---	316L	ZND3000RR2	5
N	2	ROtARY INSERT	---	SIC	ZND3000ARR4	6
O	1	ROtARY COLLAR	---	316L	ZND3000A1R4	4
S	1	SET SCREW COLLAR	---	316L	ZND3000C	11
T	2	RETAINING RING	---	302SS	RR3000ZND	1
U	1	INNER GLAND	---	316L	ZND3000G2	9
V	1	SEAL SLEEVE	---	316L	ZND3000S	10
W	1	ROtARY COLLAR O-RING	---	VTON	-042	1
Y	1	CABLE TIE	14"	NYLON	4" 50 lb.	1

SEAL KIT CONSISTS OF: B, C, D, G, H, I, J, K, M, N, O, P, R, T, V, X, Y
 REPAIR KIT CONSISTS OF: B, C, D, G, H, I, J, K, N, P, R, V, X, Y



NOTE:
IMPELLER NOT SHOWN

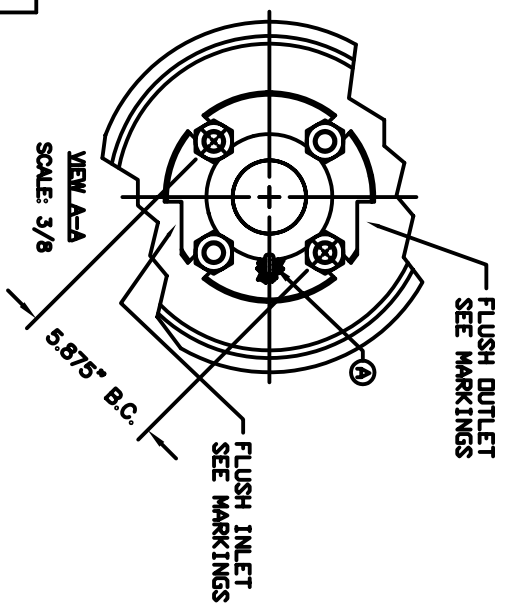


ZM TECHNOLOGIES
 2250 STEWART ST. UNIT #6
 STOCKTON CA. 95205
 PHONE (209) 547-1965
 FAX (209) 464-8140

TITLE: CARTRIDGE TANDEM/DOUBLE SEAL ASSEMBLY
 ZND DBL 3"

DATE: 10/10/05	FLUSH	DRAWN BY: RE	DWG #: ZND3000R1	SHEET #: 1 OF 11	APPROVED: RE	Date: 4/27/04
----------------	-------	--------------	------------------	------------------	--------------	---------------

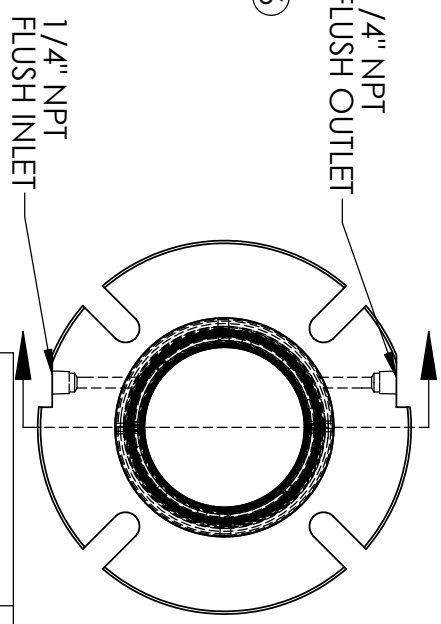
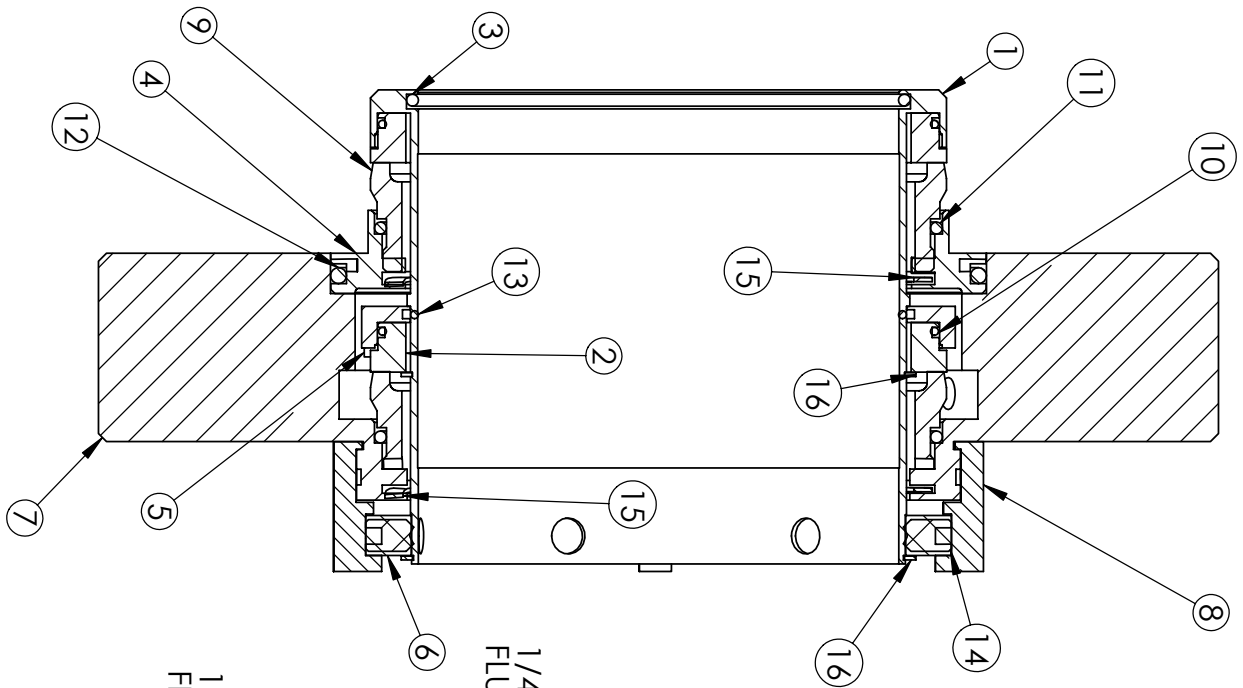
NOTES:
 THIS IS PROPERTY OF ZMT, INC.
 USE OR MAKING COPIES OF THIS
 DRAWING WITHOUT WRITTEN
 AUTHORIZATION IS IS PROHIBITED.



STUD/BOLT SIZE	1/2	5/8
MIN. BOLT CIRCLE	5-3/4	5-7/8

REV	DESCRIPTION	BY	DATE
-----	-------------	----	------

ITEM NO.	PART NUMBER	MATERIAL	DESCRIPTION	ZND3750/QTY.
1	ZND3750S	316L	SEAL SLEEVE	1
2	ZND3750AR4	SiC	ROTARY INSERT	2
3	154	VITON	STD O-RING	1
4	ZND3750G2	316L	INNER GLAND	1
5	ZND3750A1R4	316L	ROTARY COLLAR	1
6	ZND3750C	316L	COLLAR	1
7	ZND3750G1	316L	GLAND	1
8	W301 CLIP	GREEN ALUMINUM	WAUKESHA 320 CLIP	4
9	ZND3750BR2	SiC	STATIONARY	2
10	046	VITON	STD O-RING	2
11	156	VITON	STD O-RING	2
12	249	VITON	STD O-RING	1
13	044	VITON	STD O-RING	1
14	SSCUPSKT 0.25-28X0.375-HX-N	302SS	1/4-28X3/8 SET SCREW	8
15	10761-29	17-7PH	WAVE SPRING	2
16	VSL-392-S02	302SS	RETAINING RING	2



PROPRIETARY AND CONFIDENTIAL
 THE INFORMATION CONTAINED IN THIS DRAWING IS THE SOLE PROPERTY OF ZMT, INC. ANY REPRODUCTION IN PART OR AS A WHOLE WITHOUT THE WRITTEN PERMISSION OF ZMT, INC. IS PROHIBITED.

DIMENSIONS ARE IN INCHES UNLESS OTHERWISE SHOWN. TWO PLACE DECIMAL ±.01 THREE PLACE DECIMAL ±.005 BREAK ALL CORNERS .010 FACES CONCENTRIC & PARALLEL ±.002

MATERIAL	NAME	DATE
FINISH	RE	10/11/2005
DO NOT SCALE DRAWING	CHECKED	
	ENG APPR.	
	MFG APPR.	
	Q.A.	

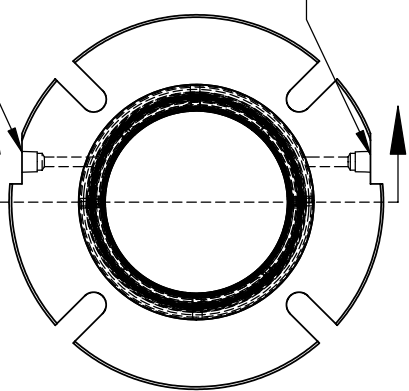
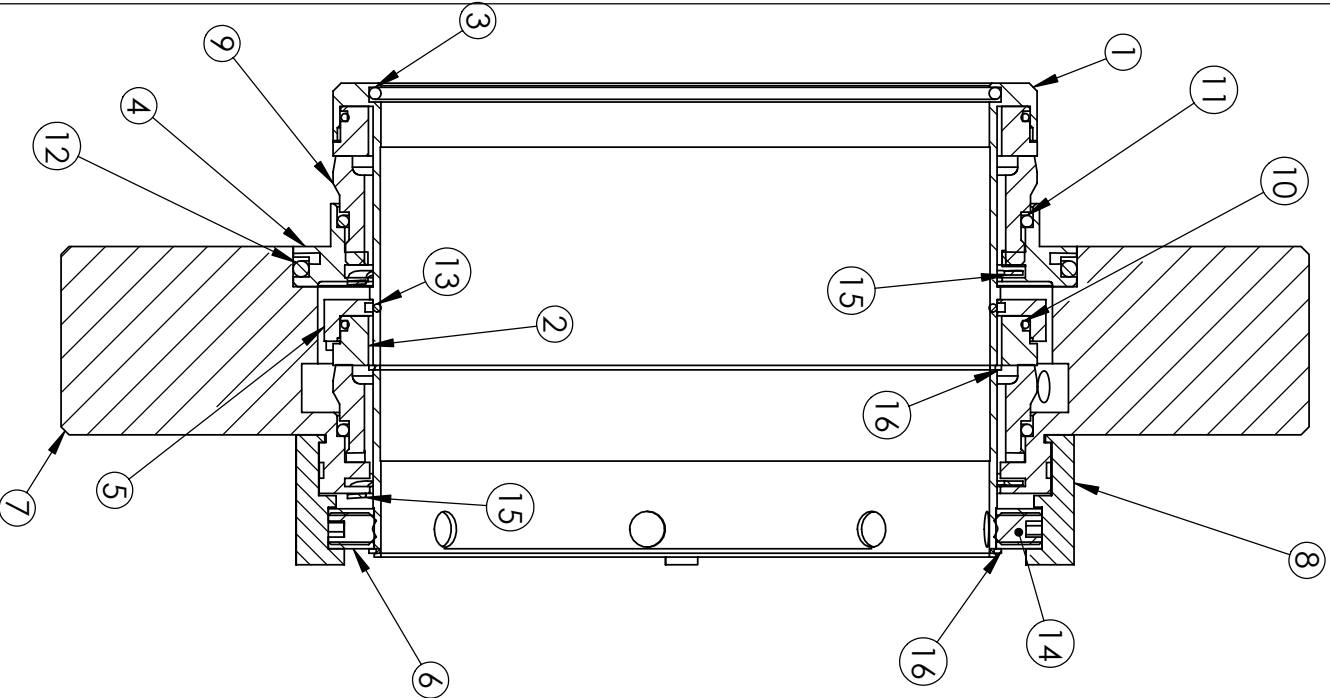
DESCRIPTION:	
3-3/4" ZND TANDEM/DOUBLE CARTRIDGE SEAL	

ZM Technologies

SIZE: **A** DWG. NO.: **ZND3750R1** REV.: **A**

SCALE: 1:1 WEIGHT: SHEET 2 OF 13

ITEM NO.	PART NUMBER	MATERIAL	DESCRIPTION	ZND4750/QTY.
1	ZND4750S	316L	SEAL SLEEVE	1
2	ZND4750AR4	SIC	ROTARY INSERT	2
3	158	VITON	STD O-RING	1
4	ZND4750G2	316L	INNER GLAND	1
5	ZND4750A1R4	316L	ROTARY COLLAR	1
6	ZND4750C	316L	COLLAR	1
7	ZND4750G1	316L	GLAND	1
8	W301CLP	GREEN ALUMINIUM	WAUKESHA 320 CLIP	4
9	ZND4750BR2	SIC	STATIONARY	2
10	050	VITON	STD O-RING	2
11	160	VITON	STD O-RING	2
12	257	VITON	STD O-RING	1
13	048	VITON	STD O-RING	1
14	SSCUPSKT 0.25-28X0.375-HX-N	302SS	1/4-28X3/8 SET SCREW	8
15	10761-30	17-7PH	WAVE SPRING	2
16	VSL-489-S02	302SS	RETAINING RING	2



1/4" NPT
FLUSH INLET

1/4" NPT
FLUSH OUTLET

PROPRIETARY AND CONFIDENTIAL
THE INFORMATION CONTAINED IN THIS DRAWING IS THE SOLE PROPERTY OF ZMT, INC. ANY REPRODUCTION IN PART OR AS A WHOLE WITHOUT THE WRITTEN PERMISSION OF ZMT, INC. IS PROHIBITED.

DIMENSIONS ARE IN INCHES UNLESS OTHERWISE SHOWN		NAME	DATE
TWO PLACE DECIMAL ±.01		RE	10/11/2005
THREE PLACE DECIMAL ±.005		CHECKED	
BREAK ALL CORNERS .010		ENG APPR.	
FACES CONCENTRIC & PARALLEL ±.002		MFG APPR.	
MATERIAL		Q.A.	
FINISH		DESCRIPTION: 4-3/4" ZND TANDEM/DOUBLE CARTRIDGE SEAL	
DO NOT SCALE DRAWING			

ZM Technologies

SIZE: **A** DWG. NO: **ZND4750R1** REV. **A**

SCALE: 1:4 WEIGHT: SHEET 2 OF 13